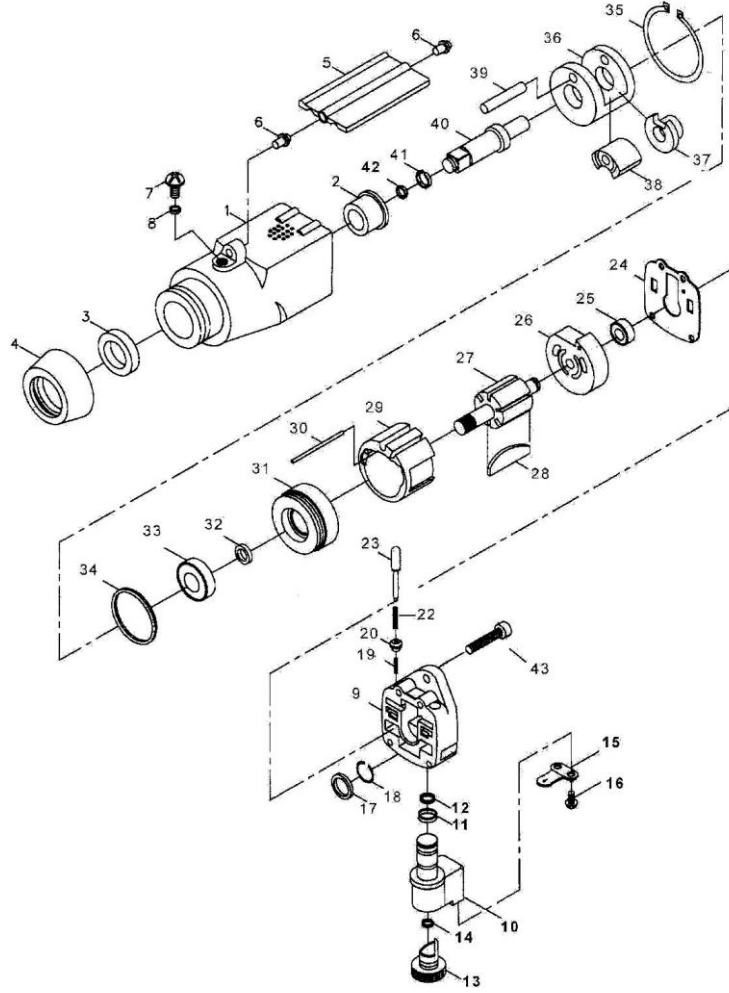


# OS-402S **GAV** HAVALI SOMUN SÖKME



No.	Parça Adı	Adet	Fiyat\$	No.	Parça Adı	Adet	Fiyat\$
1	MOTOR HOUSING	1	12.00	23	PLUNGER	2	3.00
2	ANVIL BUSHING	1	1.00	24	BACK CAP GASKET	1	2.00
3	OIL SEAL	1	2.00	25	BALL BEARING	1	1.00
4	RUBBER NOSE GUARD	1	1.00	26	REAR END PLATE	1	5.00
5	THROTTLE LEVER	1	2.00	27	ROTOR	1	10.00
6	THROTTLE PIN	2	1.00	28	ROTOR BLADE	6	1.00
7	OILER SCREW	1	1.00	29	CYLINDER	1	5.00
8	O-RING	1	1.00	30	MOTOR PIN	1	1.00
9	BACK CAP	1	7.00	31	FRONT END PALTE	1	5.00
10	AIR INLET BLOCK	1	6.00	32	OIL SEAL	1	2.00
11	O-RING	1	1.00	33	BALL BEARING	1	5.00
12	O-RING	2	1.00	34	O-RING	1	1.00
13	REGULATOR	1	2.00	35	SNAP RING	1	3.00
14	O-RING	1	1.00	36	HAMMER CAGE	1	10.00
15	RETAINER PLATE	1	3.00	37	CAP	1	5.00
16	SCREW	2	1.00	38	HAMMER	1	6.00
17	FIXING RING	1	1.00	39	HAMMER PIN	1	3.00
18	RETAINING RING	1	1.00	40	ANVIL	1	10.00
19	VALVE SPRING	2	1.00	41	O-RING	1	1.00
20	VALVE SEAT	2	1.00	42	SOCKET RETAINER RING	1	1.00
22	PLUNGER SPRING	2	1.00	43	CAP SCREW- LONG	4	1.00